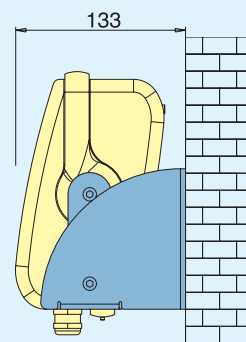


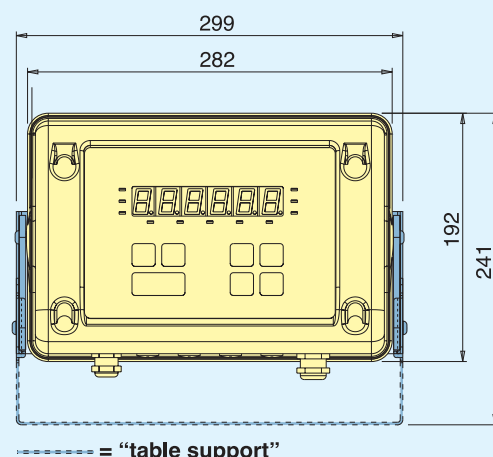
EV 7-S



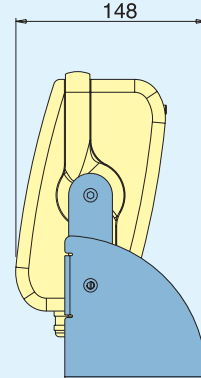
EV 7-S stainless steel wall-mounted version



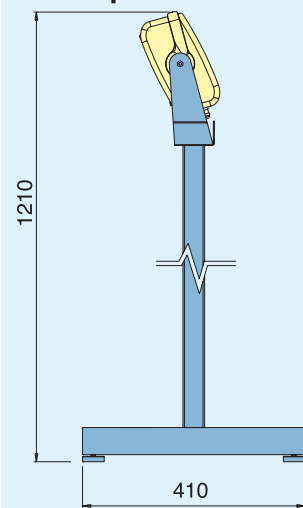
■ Accessories



EV 7-S stainless steel desktop version

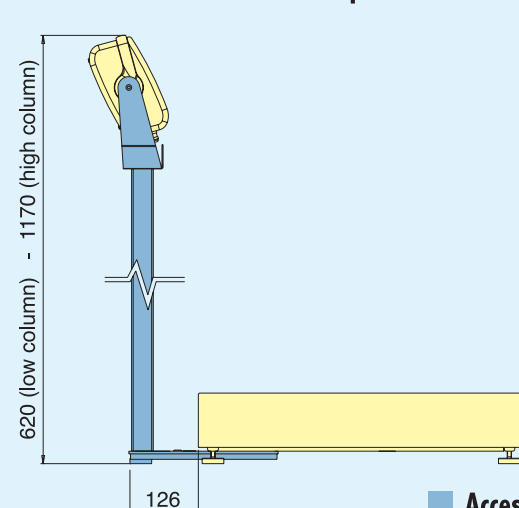


EV 7-S pedestal version



■ Accessories

EV 7-S column version with PMA platform



■ Accessories

Evoluzione 2000 series indicators



EV 7-S model 

 SOCIETA' COOPERATIVA
BILANCI AI
Weighing instruments and technology

Società Cooperativa Bilanciai Campogalliano a.r.l.
41011 Campogalliano (MO) Italy - Via S. Ferrari, 16
Tel. +39 059 / 89.36.11 r.a. - Fax +39 059 / 52.70.79
Internet: www.coopbilanciai.it
E.mail: cb@coopbilanciai.it

N. 81190020 - 0473 - netstudio

 SOCIETA' COOPERATIVA
BILANCI AI

EV 7-S model

General characteristics

■ Stainless steel indicator suitable for use in harsh environments of all types, in the presence of very high humidity and/or water jets from all directions
High efficiency display for optimum data readability. Ease of use and exceptional reliability, coupled with the excellent performance and the presence of a serial port for connection to a PC, make this indicator the preferred choice in weighing applications, with optional use of the tare function, where weight data is to be transmitted to a PC. Like the other indicators in the range, a practical support means this unit can be used in table-top or wall-mounted style without requiring optional fixing accessories. Carrying the CE mark of approval in compliance with directive 90/384 EEC, this indicator can be connected to any type of analogue load cell in Single Scale or Multirange versions.

Technical specifications

- 7-segment red LED display (h=20mm)
- Power supply 90 : 240 VAC, 50/60 Hz (12V cc on request), 15W
- Operation also possible with rechargeable batteries (optional)
- Operating temperature: -10°C / +40°C
- Storage temperature: -20°C / +70°C
- Analogue load cell power supply: 10 VDC; min. impedance 29 ohm
- Maximum load cell input voltage: 23mV
- Load cell 6-wire connection with "Sense" circuit
- Maximum displayed resolution: 6000 div. OIML (for legally approved use).
30,000 div. (for 'non-approved' use)
- Complies with European directive 73/23 EEC (Low Voltage)
- Complies with European directive 89/336 EEC (Electromagnetic Compatibility).
- Electromagnetic immunity in compliance with EN 45501
- Immune to irradiated electromagnetic fields of up to 10V / min
- no. 1 selectable serial output (RS 232,422, 485)
- Selectable transmission rate up to 115,200 baud
- 7-key polyester keypad
- IP68 protection rating



EV 7-S stainless steel desktop version



EV 7-S stainless steel wall-mounted version

EV 7-S model

Functional characteristics

- The indicator manages the following data:
 - Display of: GROSS weight
NET weight
 - Auto tare or preset tare function
 - Reset
 - Weight value transmission via serial port
 - Indication of charge status of battery (if present)

Standard equipment

- Wall or table-top fixing kit

Optionals

- MPP permanent weights memory
 - Internal rechargeable Ni-MH battery
 - Battery life before recharging:
18 hours for single cell version
 - Column mounting kit for PMA platform
scale application
 - Pedestal kit



EV 7-S stainless steel with low column mounted on PMA platform



EV 7-S stainless steel with high column mounted on PMA platform



EV 7-S stainless steel with pedestal connected to LPS weighing platform