



Dialogica series indicators



D 70 model



D 70 weight display indicators

General characteristics

D70 is an electronic indicator for applications of a general nature.

This unit, equipped with a LED display and membrane keypad, features an exceptional quality-price ratio. Particularly suitable for small and medium weights in situations requiring a high visibility display, the D70 indicator is highly versatile because it can be powered either from the ac mains or from standard AA batteries.

The unit features two serial outputs that can be configured to transmit the weight reading to connected devices.

Carrying the CE mark of approval in compliance with directive 90/384 EEC, this indicator can be connected to any type of analogue load cell in Single Scale or Multirange versions.

Technical specifications

7-segment (h=20m) red LED display

- Power supply: 230 V with external adapter
- Low voltage power supply: 12 Vdc
- Power absorption: 10 Va
- Battery operation: 6 x 1.2 V rechargeable AA batteries or 6x1.5 V AA alkaline batteries, with 16 h run time (single cell)
- Operating temperature °C: -10 / + 40
- Storage temperature °C: -20/+70
- RH % (maximum non-condensing relative humidity): 85%
- Load cell power supply: 5 Vdc
- Maximum number of load cells: 4x350 ohm
- Maximum load cell input power: 13 mV
- 6-wire connection with "Sense" circuit
- Max. resolution (for "approved use"): 6000 div. OIML (3x3000)
- Max. resolution (for "internal use"): 30000 div.
- Serial outputs: one for RS 232 + one for RS232/485
- Panel protection rating: IP65
- Facility for operation as a weight "repeater"



D 70 weight display indicators

Functional characteristics

The indicator manages the following data:

- Display of: GROSS weight - NET weight
- Auto tare or preset tare function
- Reset
- Test
- Weight value transmission via a serial port
- Indication of battery charge status (if available)
- Piece counter function



D 70 battery compartment

Optionals

Ethernet card

- Support for rack-mounting version
- Rechargeable NI-MH (AA) batteries kit
- Wall mounting kit
- Column mounting kit for PMA platform scale application
- Kit for "compact" configuration for mounting at the base of the PMA platform scale
- Pedestal kit



D 70 connected to PMA platform scale in "compact" configuration



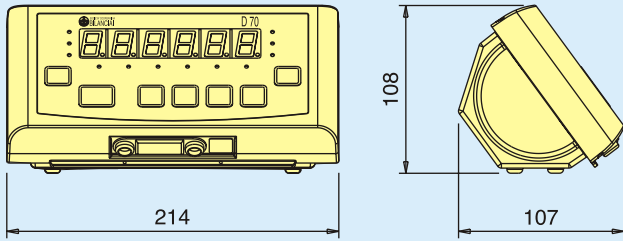
D 70 on low column on PMA platform scale



D 70 on high column on PMA platform scale

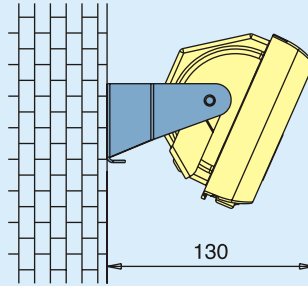
D 70

D 70 tabletop version



Drilling template for Rack-mounting version - size 200x104

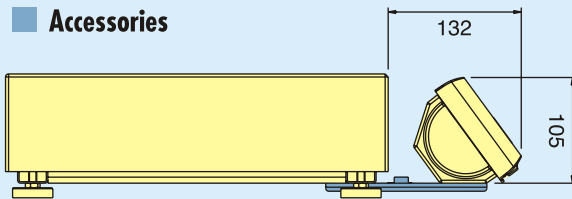
D 70 wall-mounting version



■ Accessories

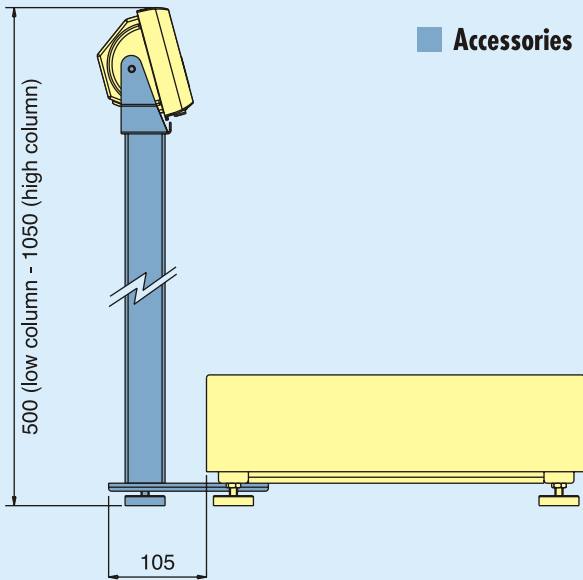
D 70 for compact configuration on PMA

■ Accessories

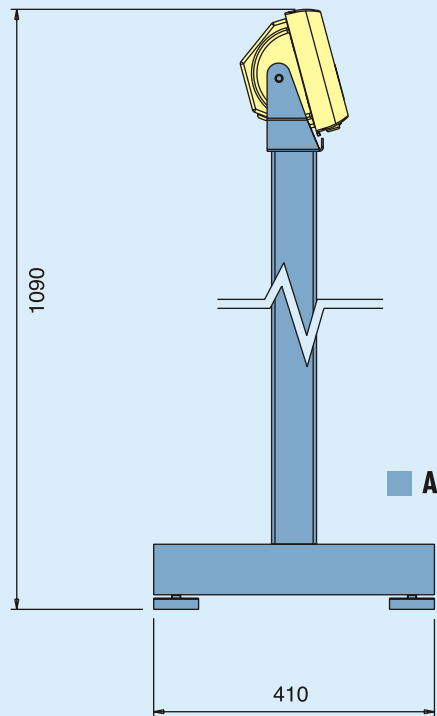


Column for application on PMA

■ Accessories



Column with pedestal for connection to platform scale



■ Accessories



SOCIETÀ COOPERATIVA
BILANCI

Weighing instruments and technology

Società Cooperativa Bilanciai Campogalliano a.r.l.
41011 Campogalliano (MO) Italy - Via S. Ferrari, 16
Tel. +39 059 / 89.36.11 r.a. - Fax +39 059 / 52.70.79
Internet: www.coopbilanciai.it
E.mail: cb@coopbilanciai.it